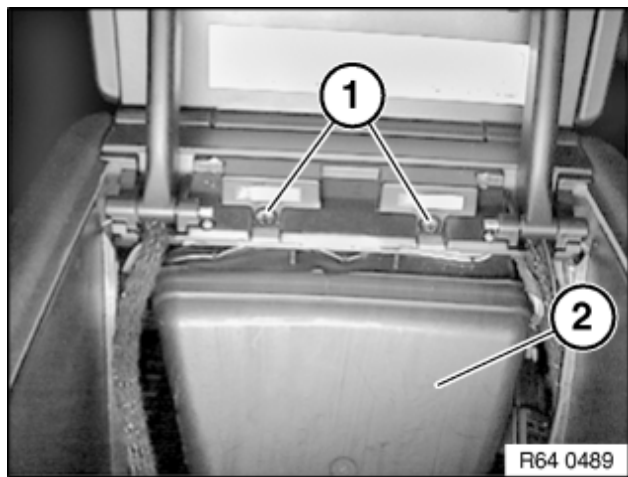


51 16 204 Removing and installing/replacing rear cup holder

Release center console at rear:

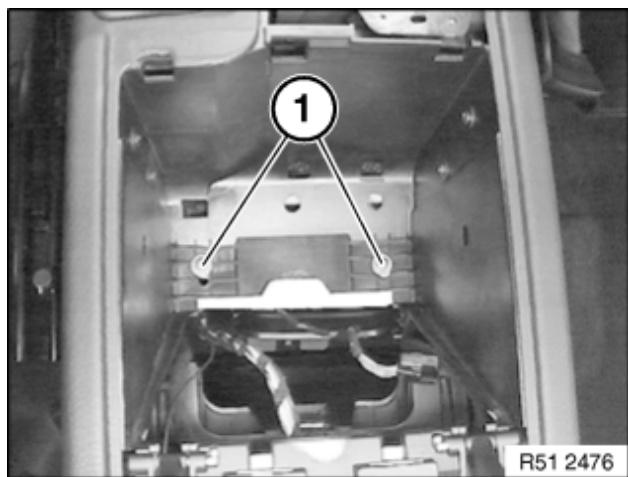
[Remove fresh air grill in footwell.](#)



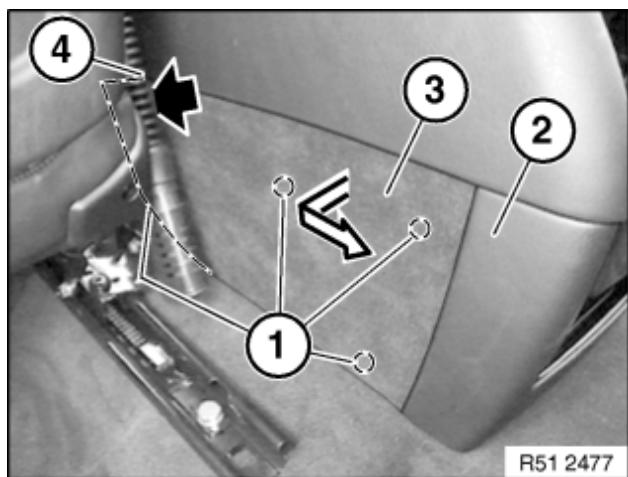
Remove air duct (2).

Installation:

Prior to tightening down all screws, fit air duct (2) correctly.



Release screws (1).



Caution!

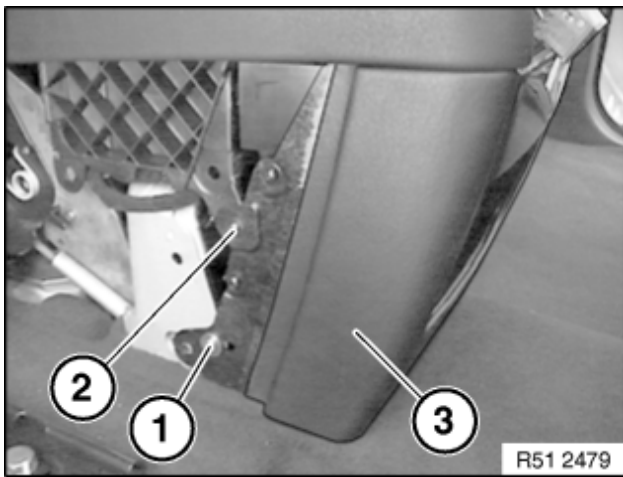
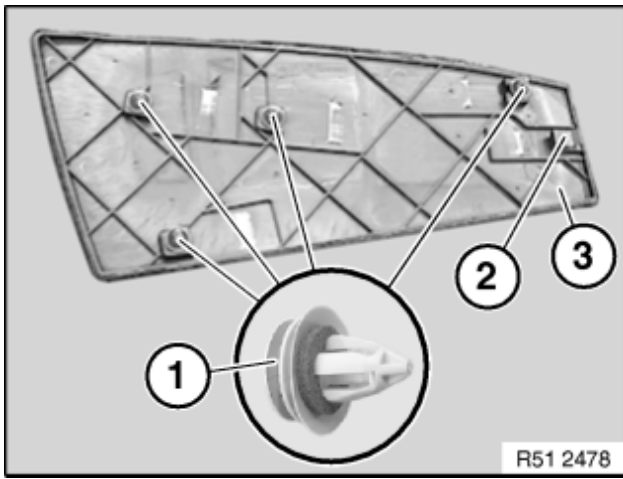
Last clip on front carpet (4) must be unclipped (risk of damage).

Unclip clips (1) on left/right with carpet (3) outwards from center console (2).

Pull out carpet (3) towards rear.

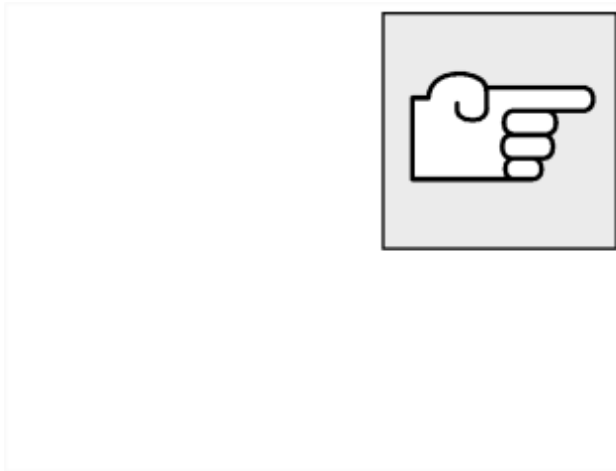
Installation:

If necessary, replace faulty clips (1) with sealing washer and retainer (2) on carpet (3).

**Note:**

Screw (2) is only released for removal of cup holder (3).

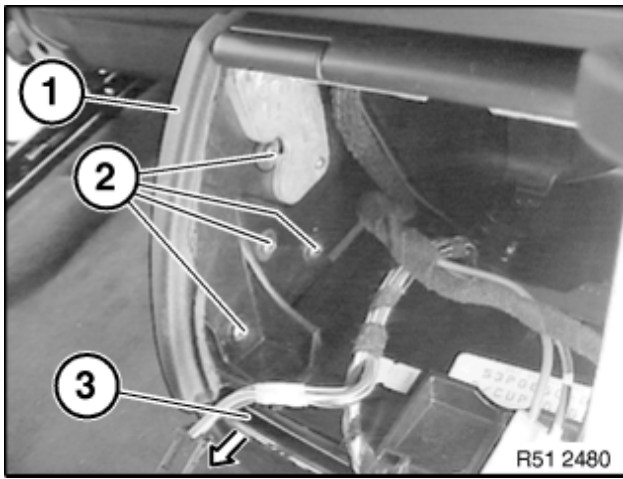
Unfasten screws (1) and (2) left/right.

**Note:**

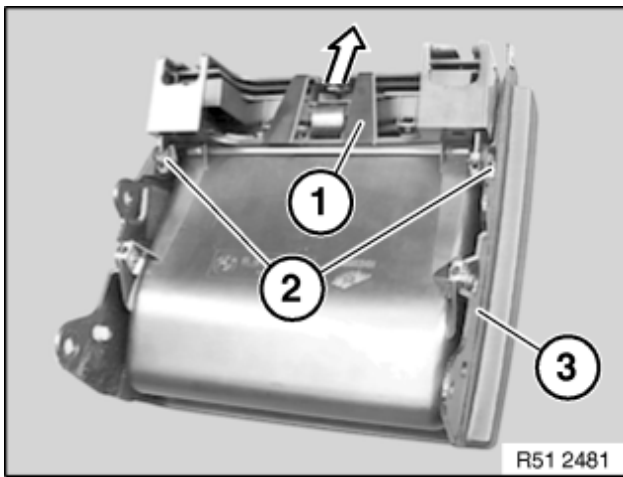
The work for "Releasing center console at rear" ends here.

Release left/right screws (2).

Pull left/right side sections (1) apart and pull out center console (rear) with cup holder (3).



Release screws (2).
Detach cup holder (1) from carrier (3).



Replacement only:
Open cup holder.
Release screws (1) and detach moulding (2).
Detach metal nuts (4) from cup holder (3).

