

## 51 43 251 Removing and installing/replacing trim panel for left or right rear roof pillar (C-pillar)

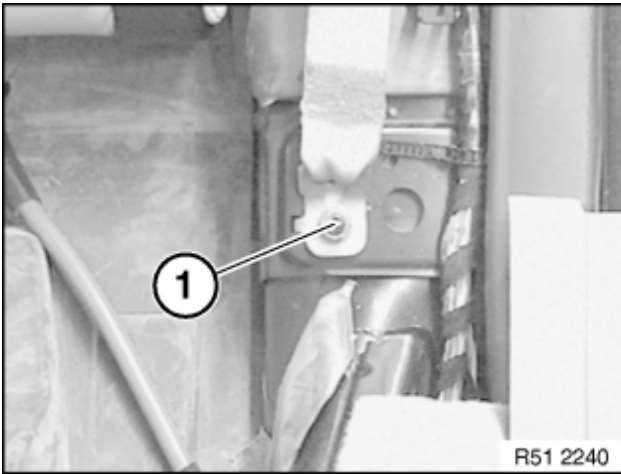
[Remove rest side section on rear seat backrest.](#)

[Remove rear seat.](#)

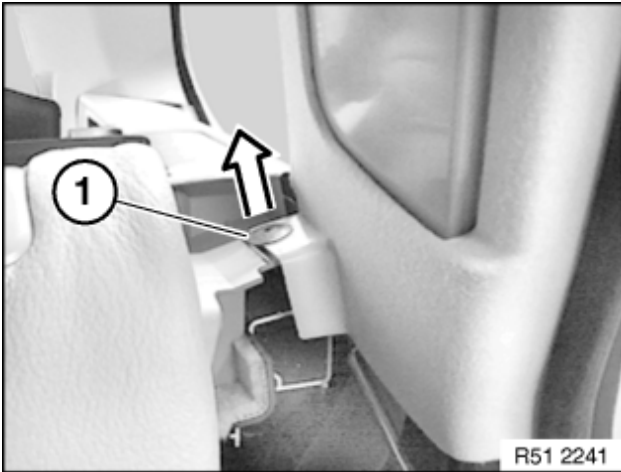
Release belt nut (1).

*Installation:*

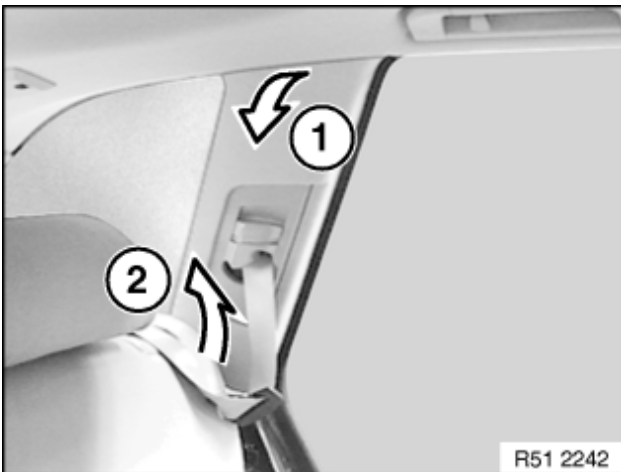
[Tightening torque 72 11 1AZ.](#)



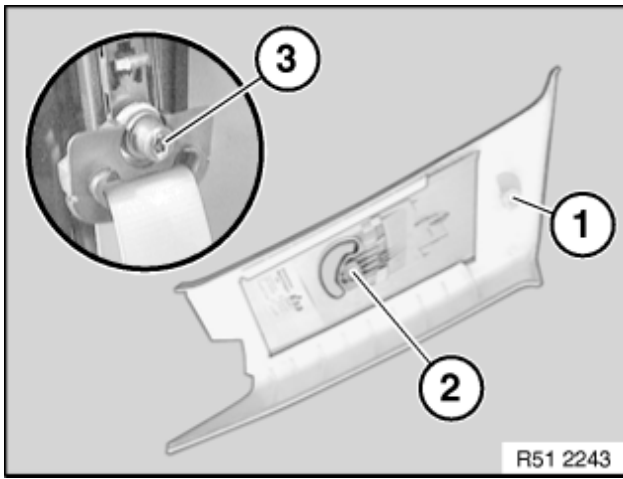
Lift out expanding rivet (1).



1. Unclip panel at top.
  2. Pull out panel towards top.
- Feed out seat belt.



*Installation:*



If necessary, replace defective clip (1).  
Belt adjustment fixture (2) must enclose head of belt screw (3).