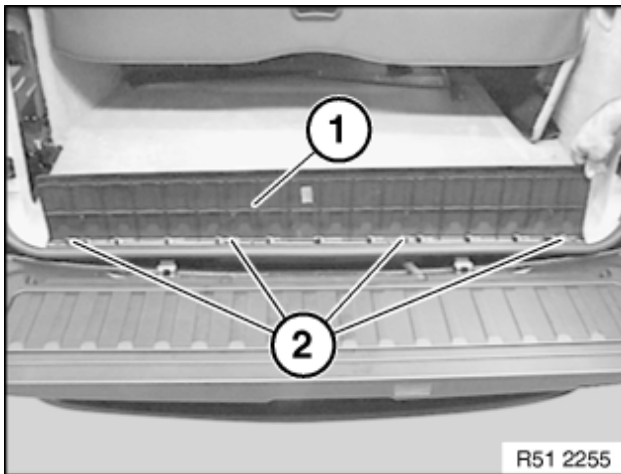


**51 46 050 Removing and installing/replacing finisher for top of rear apron**

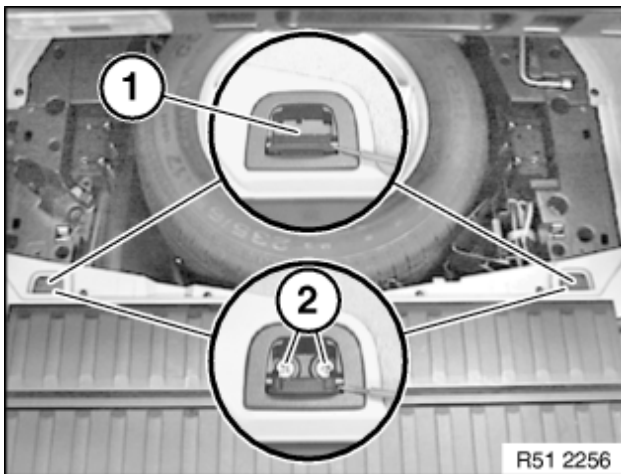
[Remove luggage compartment floor trim panel.](#)

[Remove flaps in luggage compartment trim panel on left and right.](#)

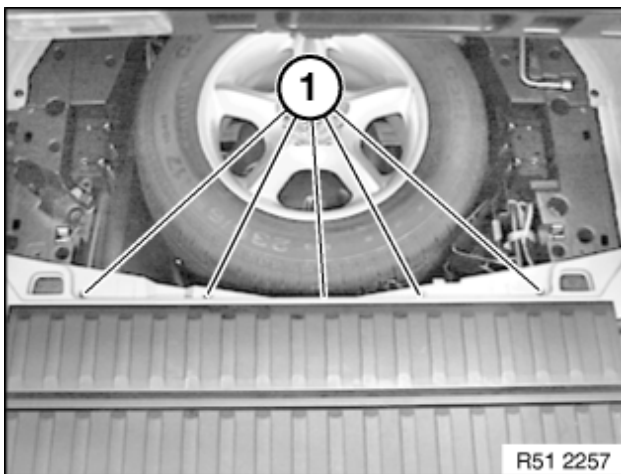
Raise trim (1) and release screws (2).



Lever out trim (1) in lashing eyes on opening. Release screws (2) and lever out lashing eyes.

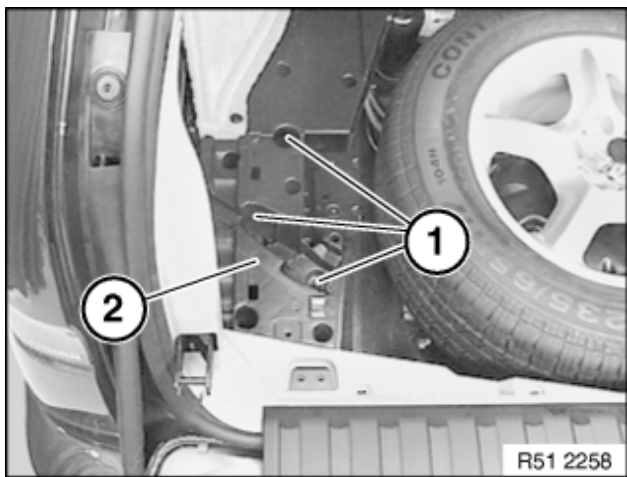


Release screws (1).



Release screws (1) on cover (2).

Lift off cover (2).



Release screws (1) on cover (2).  
Lift off cover (2).  
Remove trim on tail panel.

