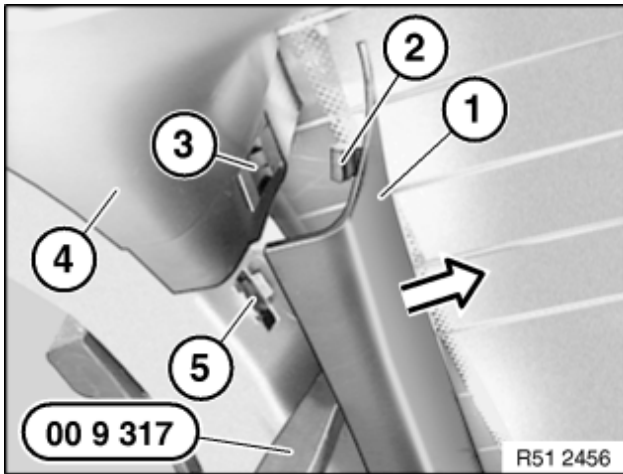
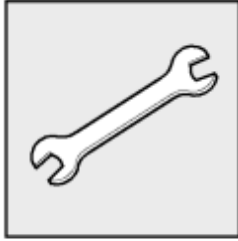


51 49 053 Removing and installing/replacing side trim for rear lid upper section

Special tools required:

- [00 9 317](#)

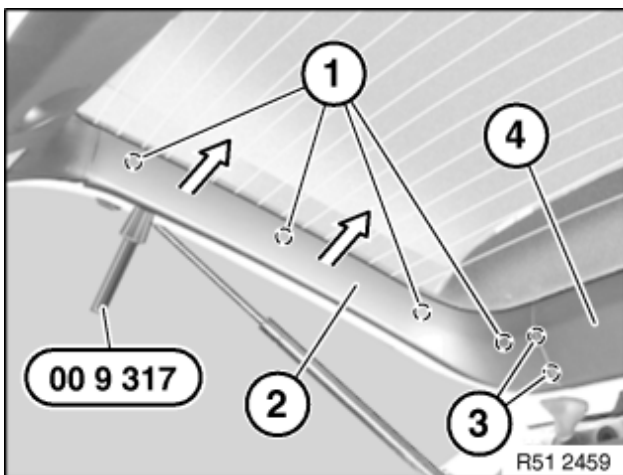


Open rear lid at top.

Using special tool [00 9 317](#), lever out side trim (1) on left/right with clip (2) from retainer (3) in lower trim (4).

Installation:

If necessary, replace faulty retainer (5).



With special tool [00 9 317](#), unclip clips (1) in side trim (2).

Feed trim (2) out of swallow-tail guides (3) in upper trim (4) and remove.

Installation:

If necessary, detach clips (1) from trim (3) and insert in rear lid.

Mounts (2) must not be damaged.

