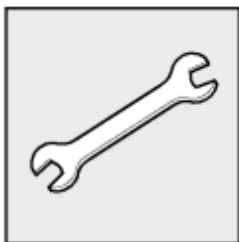


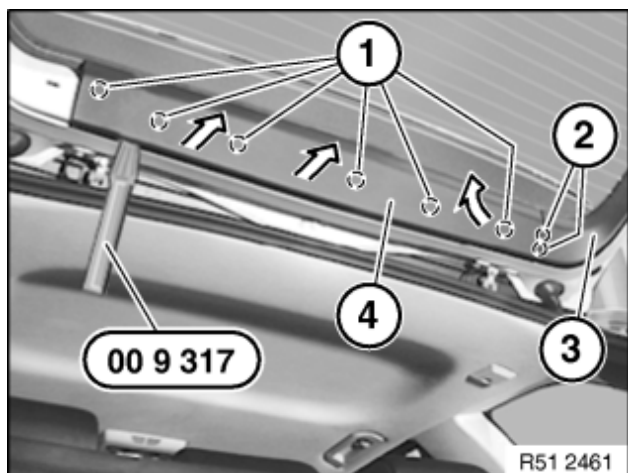
## 51 49 056 Removing and installing/replacing upper trim for rear lid upper section

### Special tools required:

- [00 9 317](#)

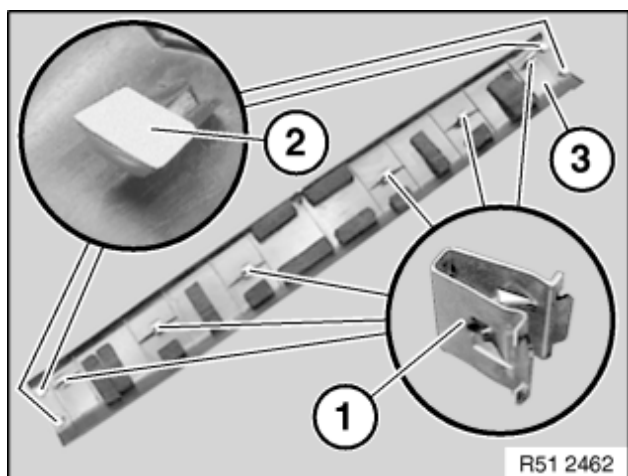


### [Remove side trim for rear lid upper section.](#)



With special tool [00 9 317](#), unclip clips (1) in upper trim (4).

Feed trim (4) with swallow-tail guides (2) out of side trim (3).



### *Installation:*

If necessary, detach clips (1) from trim (3) and insert in rear lid.

Swallow-tail guides (2) must not be damaged.